

ST-4A Hinge

Position control · Constant torque

Features

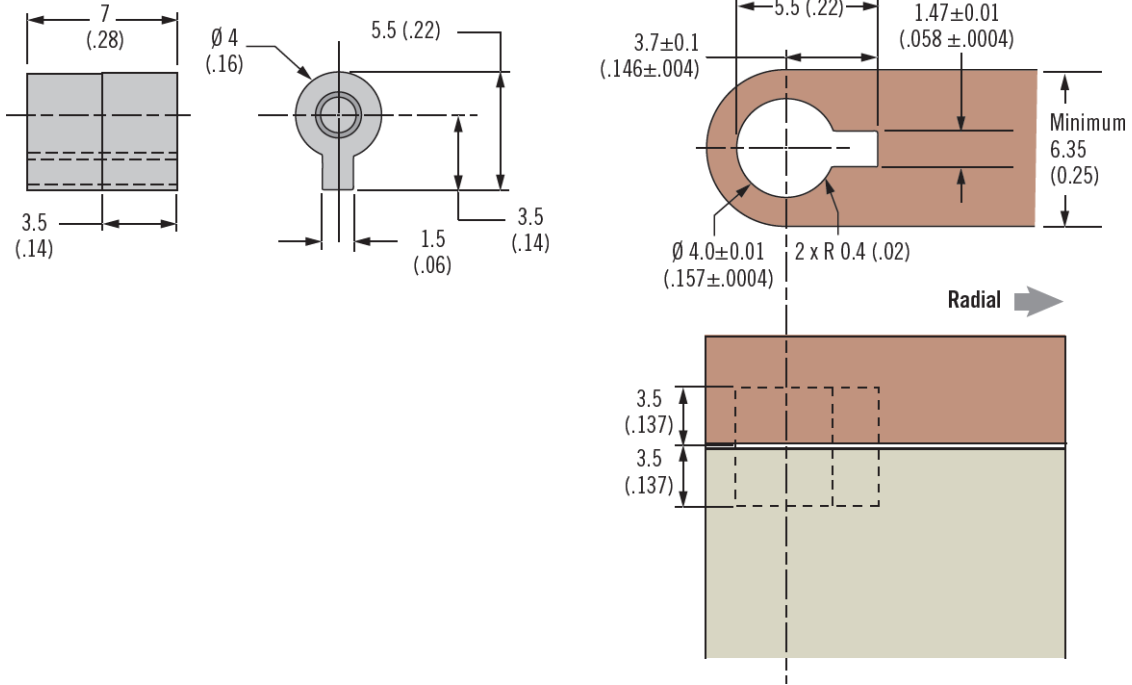
- Smooth consistent operation
- Extremely compact, fits the smallest applications
- Never requires adjustment

Material

- Aluminum, zinc alloy and steel, natural

Product Performance

- Cycle performance: 20,000 cycles within 0.023 N.m of static torque specification
- Maximum static radial load: 200 N



Part Number	Static Torque
ST-4A-3S-33	0.034 N·m (.3 in·lbf)

southco®

We are proud to be Southco's authorized distributor of over 20 years